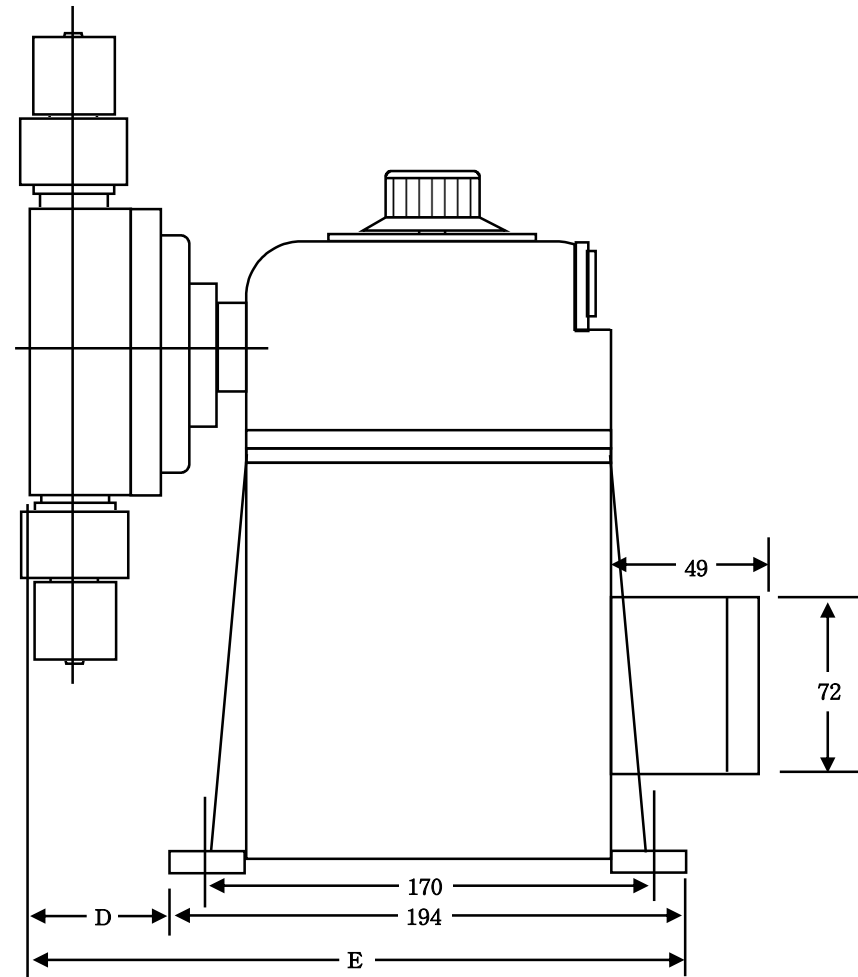
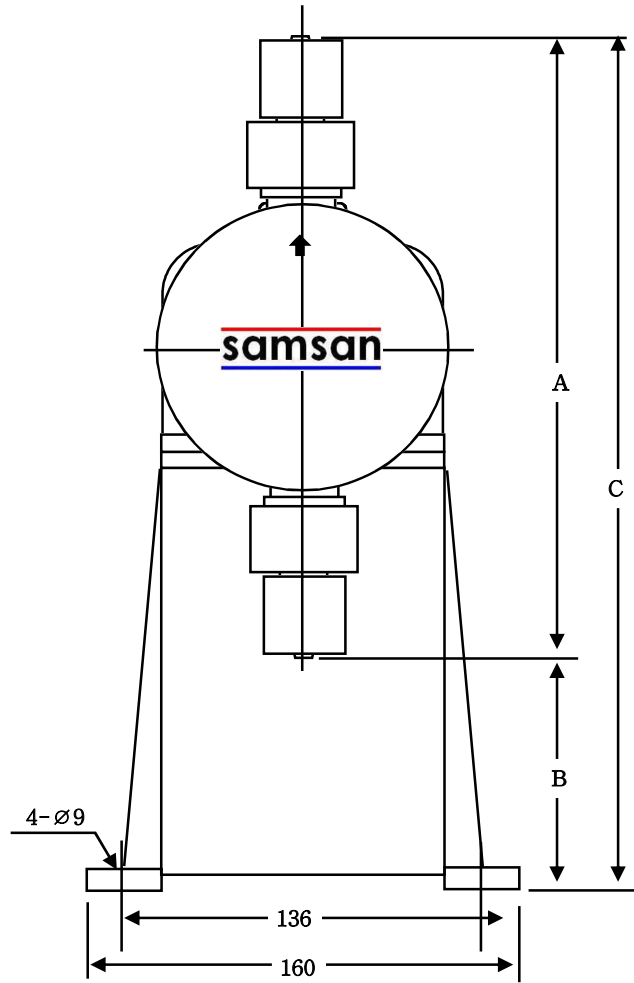


(단위 mm)

| | A | B | C | D | E |
|------------|-----|-----|-----|----|-----|
| SG 30/60 | 162 | 104 | 266 | 78 | 248 |
| SG 150/300 | 182 | 94 | 276 | 79 | 249 |
| SG 600 | 200 | 85 | 285 | 80 | 250 |

| SCALE | DRAWN | DESIGNED | CHECKED | APPROVED | SG 30/60/150/300/600-VTC-HWS | |
|----------------------------|-------|----------|---------|----------|------------------------------|----------------|
| / | | | M.H.Yoo | M.S.Yeo | DWG. NO. | DRAWN DATE |
| (주)삼산코리아 SAMSANKOREA, LTD. | | | | | 128-10001 | Jan. 28 . 2010 |

| | |
|-----------|--|
| PURCHASER | |
| USER | |



(단위 mm)

| | A | B | C | D | E |
|---------|-----|-----|-----|----|-----|
| SG 1200 | 226 | 126 | 352 | 64 | 258 |
| SG 2000 | 250 | 113 | 363 | 64 | 258 |

| SCALE | | DRAWN | DESIGNED | CHECKED | APPROVED | SG-1200/2000-VTC-HWS | |
|-----------|--|----------------------------|----------|---------|-----------|----------------------|------------|
| / | | | | M.H.Yoo | M.S.Yeo | DWG. NO. | DRAWN DATE |
| PURCHASER | | (주)삼산코리아 SAMSANKOREA, LTD. | | | 128-10002 | Jan. 28 . 2010 | |
| USER | | | | | | | |